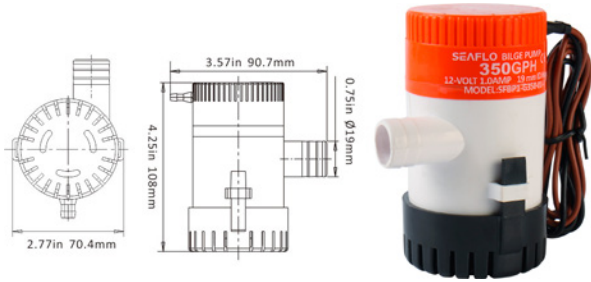




SEAFLO

REF					MÁX.
SFBP1G35001	350 GPH 1350 l/h	12 V (1.0 A)	19 mm / 3/4"	1 m	
SFBP1G50001	500 GPH 1.900 l/h	12 V (2.2 A)	19 mm / 3/4"	3 m	
SFBP2G50001	500 GPH 1.900 l/h	24 V (1.2 A)	19 mm / 3/4"	3 m	
SFBP1G75001	750 GPH 2850 l/h	12 V (2.5 A)	19 mm / 3/4"	2,5 m	
SFBP2G75001	750 GPH 2850 l/h	24 V (1.2 A)	19 mm / 3/4"	2,6 m	
SFBP1G110001	1.100 GPH 4.180 l/h	12 V (3.0 A)	29 mm / 1 1/8"	4 m	
SFBP2G110001	1.100 GPH 4.180 l/h	24 V (1.8 A)	29 mm / 1 1/8"	4 m	



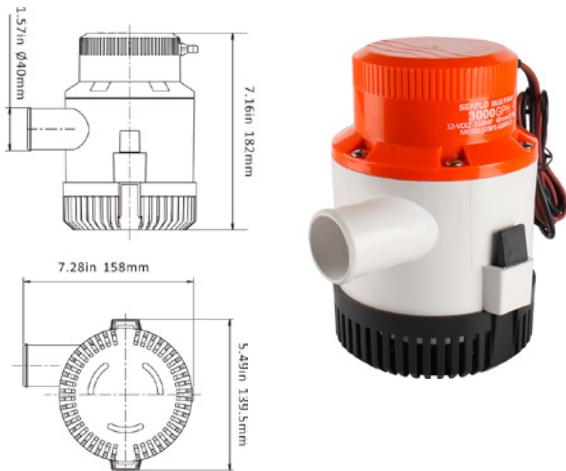
SEAFLO

REF					MÁX.
SFBP1G35003	350 GPH 1350 l/h	12 V (1.0 A)	19 mm / 3/4"	1 m	
SFBP1G60003	600 GPH 2300 l/h	12 V (3.0 A)	19 mm / 3/4"	1 m	
SFBP1G80003	800 GPH 3000 l/h	12 V (4.0 A)	19 mm / 3/4"	1 m	



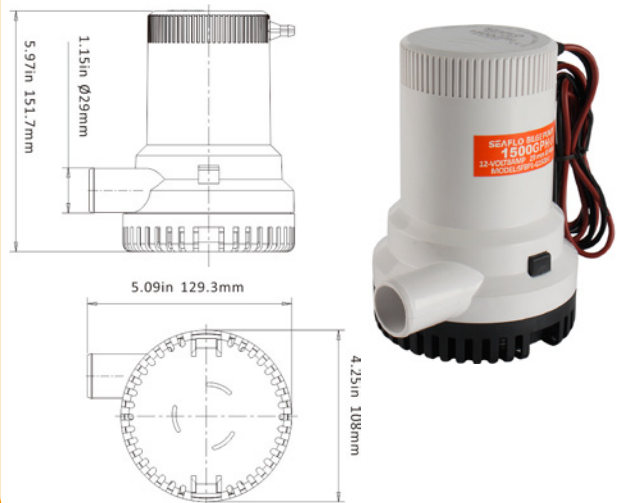
SEAFLO

REF					MÁX.
SFBP1G300001	3000 GPH 11400 l/h	12 V (14.0 A)	40 mm / 1 1/2"	6 m	
SFBP2G300001	3000 GPH 11400 l/h	24 V (8.0 A)	40 mm / 1 1/2"	6 m	
SFBP1G350001	3.500 GPH 13.300 l/h	12 V (12 A)	40 mm / 1 1/2"	8 m	
SFBP2G350001	3.500 GPH 13.300 l/h	24 V (8 A)	40 mm / 1 1/2"	8 m	



SEAFLO

REF						MÁX.
SFBP1G150001	1.500 GPH 5.700 l/h	12 V (8 A)	29 mm 1 1/8"	152 x 108 mm 5,97" x 4,25"	5 m	
SFBP2G150001	1.500 GPH 5.700 l/h	24 V (5 A)	29 mm 1 1/8"	152 x 108 mm 5,97" x 4,25"	5 m	
SFBP1G200001	2.000 GPH 7.600 l/h	12 V (10 A)	29 mm 1 1/8"	152 x 108 mm 5,97" x 4,25"	6 m	
SFBP2G200001	2.000 GPH 7.600 l/h	24 V (6 A)	29 mm 1 1/8"	152 x 108 mm 5,97" x 4,25"	6 m	



GOLDENSHIP

REF					MÁX.
GS20115	400 GPH / 1.500 l/h	12 V (3 A)	19 mm	1 m	
GS20116	600 GPH / 2.300 l/h	12 V (4 A)	19 mm	1 m	
GS20117	1.400 GPH / 5.300 l/h	12 V (7 A)	29 mm	1 m	
GS20118	1.400 GPH / 5.300 l/h	24 V (3,5 A)	29 mm	1 m	

